

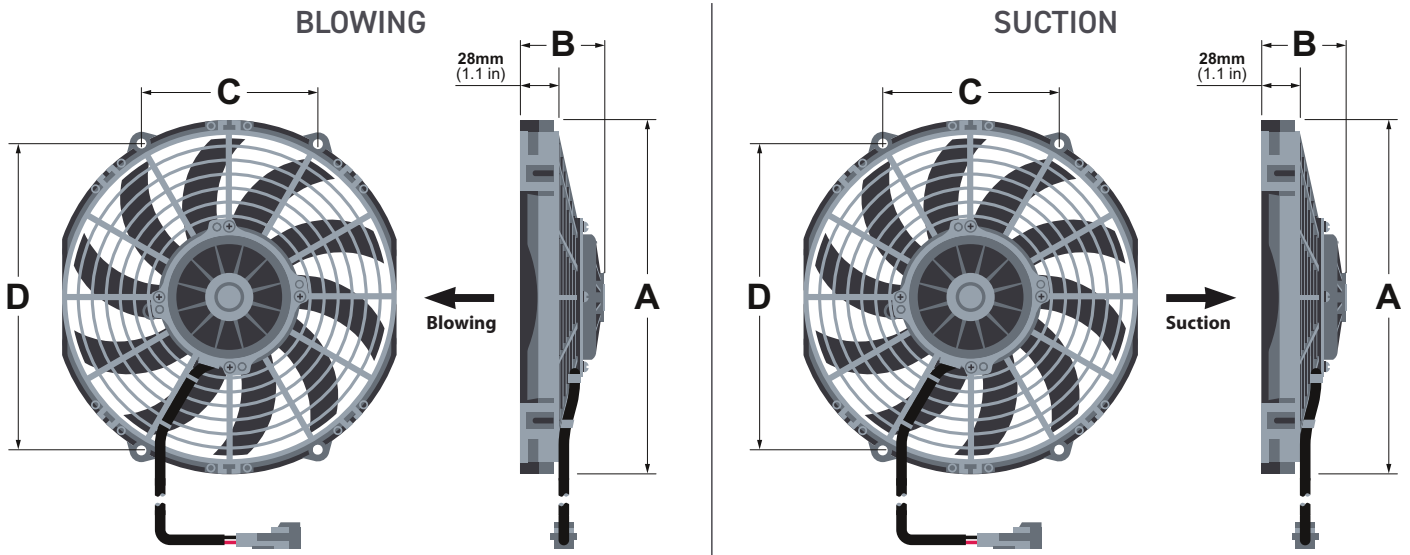


AX12B004-225/255/305 AX24B004-225/255/305

BRUSHED DC AXIAL FAN SERIES CURVED BLADE DESIGN

12V, 24V
 500~912 CFM (850~1550 m³/h)
 Dual Ball Bearings
 Housing: PA66 + 30% GF, UL94-V0
 Impeller: PA66 + 30% GF, UL94-V0
 Operating Temperature: -40°C ~ +70°C
 Operating Life: 6,000 hours
 IP55 Dust & Moisture Protection
 RoHS

Model Number	Airflow Direction	Voltage (V)	Part Number	Current (A)	No. Speeds	Airflow (Q)		CROSS REFERENCE PART NUMBER	
						(CFM)	(m ³ /h)		
AX12B004-B255-1SP-02	Blowing	12	01.12.58B	≤ 9	1	706	1200	SPAL	VA11-AP7 / C-29S VA11-AP7 / C-57S
AX12B004-B225-1SP-02	Blowing	12	01.12.63B	≤ 10	1	589	1000	SPAL	VA07-AP12 / C-31S VA07-AP12 / C-58S
AX12B004-S255-1SP-02	Suction	12	01.12.45B	≤ 10	1	706	1200	SPAL	VA11-AP7 / C-29A VA11-AP7 / C-57A
AX12B004-S225-1SP-02	Suction	12	01.12.60B	≤ 10	1	500	850	SPAL	VA07-AP12 / C-31A VA07-AP12 / C-58A
AX12B004-B305-1SP-02	Blowing	12	01.12.17B	≤ 13	1	912	1550	SPAL	VA10-AP10 / C-61S VA10-AP50 / C-25S
AX12B004-S305-1SP-02	Suction	12	01.12.16B	≤ 15	1	883	1500	SPAL	VA10-AP10 / C-61A VA10-AP50 / C-25A
AX24B004-B255-1SP-02	Blowing	24	01.24.58B	≤ 4	1	695	1180	SPAL	VA11-BP12 / C-29S VA11-BP12 / C-57S
AX24B004-B225-1SP-02	Blowing	24	01.24.63B	≤ 4.5	1	647	1100	SPAL	VA07-BP12 / C-58S VA07-BP7 / C-31S
AX24B004-S255-1SP-02	Suction	24	01.24.45B	≤ 5.5	1	706	1200	SPAL	VA11-BP12 / C-29A VA11-BP12 / C-57A
AX24B004-S225-1SP-02	Suction	24	01.24.60B	≤ 4.5	1	647	1100	SPAL	VA07-BP12 / C-58A VA07-BP7 / C-31A
AX24B004-B305-1SP-02	Blowing	24	01.24.17B	≤ 6	1	912	1550	SPAL	VA10-BP10 / C-61S VA10-BP50 / C-25S
AX24B004-S305-1SP-02	Suction	24	01.24.16B	≤ 15	1	912	1550	SPAL	VA10-BP10 / C-61A VA10-AP50 / C-25A



Model Number	Part Number	DIMENSIONS mm (in)			
		A	B	C	D
AX12B004-B255-1SP-02	01.12.58B	286 (11.26)	68 (2.68)	143 (5.63)	247.5 (9.74)
AX12B004-B225-1SP-02	01.12.63B	247 (9.72)	68 (2.68)	139 (5.47)	206 (8.11)
AX12B004-S255-1SP-02	01.12.45B	309.5 (12.19)	80 (3.15)	143 (5.63)	247.5 (9.74)
AX12B004-S225-1SP-02	01.12.60B	247 (9.72)	68 (2.68)	139 (5.47)	206 (8.11)
AX12B004-B305-1SP-02	01.12.17B	337 (13.27)	79 (3.11)	168 (6.61)	292.5 (11.52)
AX12B004-S305-1SP-02	01.12.16B	337 (13.27)	79 (3.11)	168 (6.61)	293 (11.54)
AX24B004-B255-1SP-02	01.24.58B	286 (11.26)	68 (2.68)	143 (5.63)	247.5 (9.74)
AX24B004-B225-1SP-02	01.24.63B	247 (9.72)	68 (2.68)	139 (5.47)	206 (8.11)
AX24B004-S255-1SP-02	01.24.45B	309.5 (12.19)	80 (3.15)	143 (5.63)	247.5 (9.74)
AX24B004-S225-1SP-02	01.24.60B	247 (9.72)	68 (2.68)	139 (5.47)	206 (8.11)
AX24B004-B305-1SP-02	01.24.17B	337 (13.27)	79 (3.11)	168 (6.61)	292.5 (11.52)
AX24B004-S305-1SP-02	01.24.16B	337 (13.27)	79 (3.11)	168 (6.61)	293 (11.54)