

PTRF-310TA

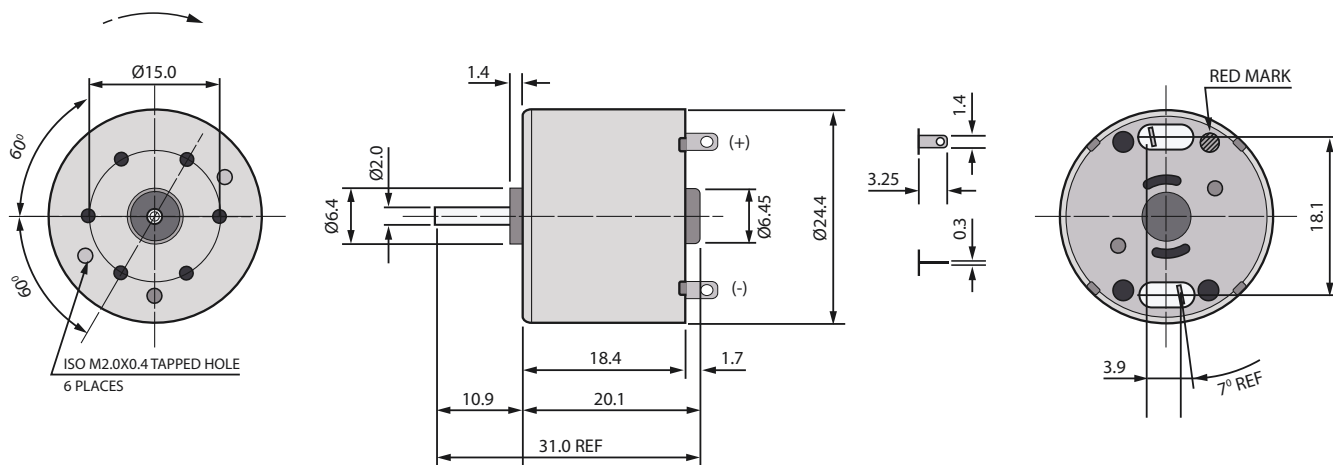
PRECIOUS METAL BRUSHED DC MICRO MOTOR



24D x 18mmL (0.94D x 0.71inL)

VOLTAGE	1.0~6.0V
HOUSING LENGTH	18.4mm (0.72in)
DIAMETER	24.4mm (0.96in)
SHAFT LENGTH	30 (1.18in)
SPEED (NO LOAD)	2800 RPM
POWER (AT MAX EFF)	0.072W
TORQUE (AT MAX EFF)	3.2 g·cm (0.31 mN·m)
OPERATING TEMPERATURE	-30°C ~+70°C
WEIGHT	29g (1.02oz)

MODEL NUMBER	VOLTAGE (V)		NO LOAD		AT MAXIMUM EFFICIENCY					STARTING		
	OPERATING RANGE	NOMINAL	SPEED RPM	CURRENT A	SPEED RPM	CURRENT A	TORQUE g·cm	TORQUE mN·m	OUTPUT W	TORQUE g·cm	TORQUE mN·m	CURRENT A
PTRF-310TA-11400	1.0~6.0	2.5	2800	0.017	2200	0.060	3.2	0.31	0.072	15	1.47	0.22



UNIT: mm

