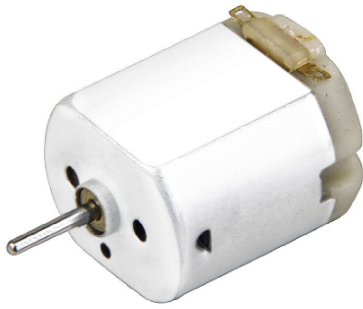


PTFS-260SA

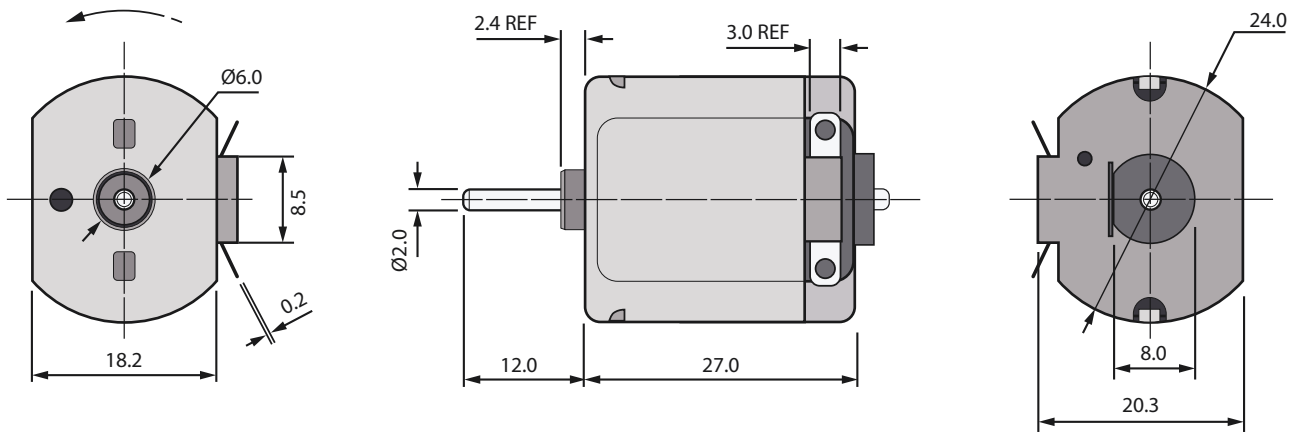
CARBON BRUSHED DC MICRO MOTOR



27Lx24Wx20mmH (1.06Lx0.94Wx0.79inH)

VOLTAGE	9.0~15.0V
HOUSING LENGTH	27mm (1.06in)
WIDTH X HEIGHT	24mm x 20.3mm (0.94 x 0.80in)
SHAFT LENGTH	38mm (1.5in)
SPEED (NO LOAD)	7100 RPM
POWER (AT MAX EFF)	1.21W
TORQUE (AT MAX EFF)	28.4 g·cm (2.78 mN·m)
OPERATING TEMPERATURE	-30°C ~+70°C
WEIGHT	35g (1.23oz)

MODEL NUMBER	VOLTAGE (V)		NO LOAD		AT MAXIMUM EFFICIENCY				STARTING			
	OPERATING RANGE	NOMINAL	SPEED RPM	CURRENT A	SPEED RPM	CURRENT A	TORQUE g·cm	TORQUE mN·m	OUTPUT W	TORQUE g·cm	TORQUE mN·m	CURRENT A
PTFS-260SA-12330	9.0~15.0	12.0	7100	0.039	5400	0.22	28.4	2.78	1.21	119	11.7	0.79



UNIT: mm

