

# PTRS-370SM

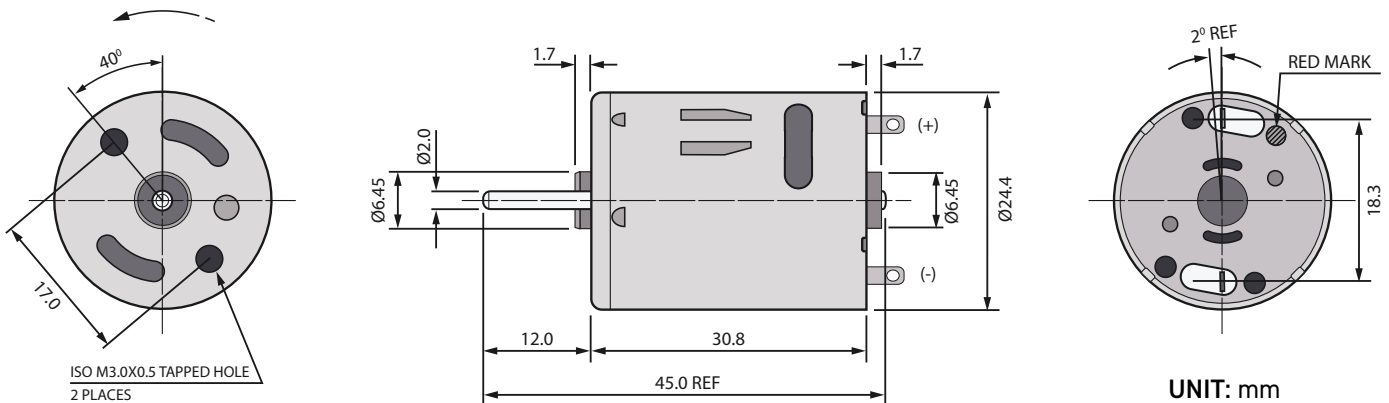
CARBON BRUSHED DC MICRO MOTOR



24D x 31mmL (0.94D x 1.22inL)

VOLTAGE	4.5~10.0V
HOUSING LENGTH	30.8mm (1.21in)
DIAMETER	24.4mm (0.96in)
SHAFT LENGTH	45.0mm (1.77in)
SPEED (NO LOAD)	16873~18826 RPM
POWER (AT MAX EFF)	8.61~11.2W
TORQUE (AT MAX EFF)	55.97~63.80 g·cm (5.48~6.25 mN·m)
OPERATING TEMPERATURE	-30°C ~+80°C
WEIGHT	51g (1.80oz)

MODEL NUMBER	VOLTAGE (V)		NO LOAD		AT MAXIMUM EFFICIENCY					STARTING		
	OPERATING RANGE	NOMINAL	SPEED	CURRENT	SPEED	CURRENT	TORQUE		OUTPUT	TORQUE	CURRENT	
			RPM	A	RPM	A	g·cm	mN·m	W	g·cm	mN·m	A
PTRS-370SM-2862	4.5~9.6	7.2	16873	0.318	14375	1.858	55.97	5.48	8.61	378.2	37.06	10.7
PTRS-370SM-2967	6.0~10.0	9.0	18826	0.261	16340	1.73	63.80	6.25	11.2	483.2	47.4	11.4



UNIT: mm

