

# PTRS-550SM

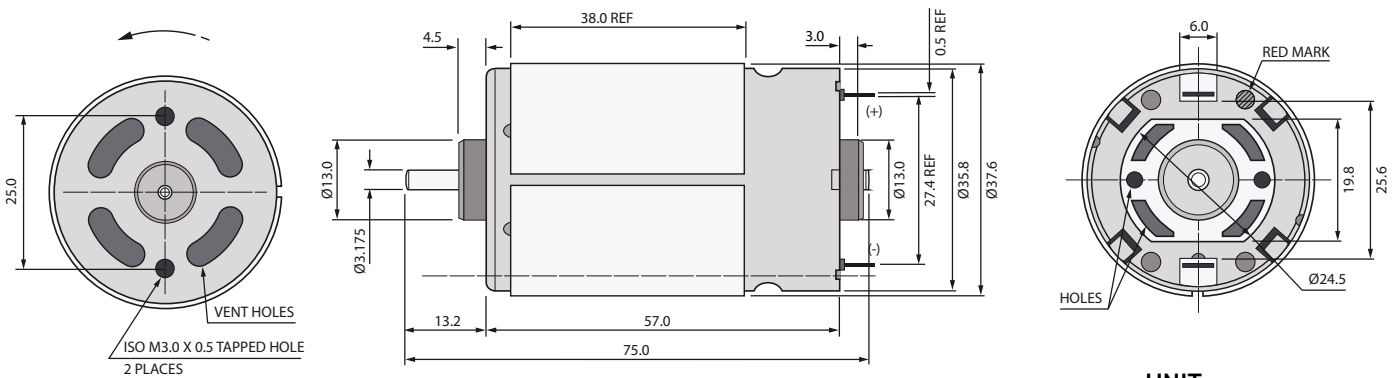
CARBON BRUSHED DC MICRO MOTOR



**38D x 57mmL (1.50D x 2.24inL)**

|                       |                               |
|-----------------------|-------------------------------|
| VOLTAGE               | 3.6~9.6V                      |
| HOUSING LENGTH        | 57.0mm (2.24in)               |
| DIAMETER              | 37.6mm (1.48in)               |
| SHAFT LENGTH          | 75.0mm (2.95in)               |
| SPEED (NO LOAD)       | 8050~15800 RPM                |
| POWER (AT MAX EFF)    | 21.2~66.4W                    |
| TORQUE (AT MAX EFF)   | 291~410 g·cm (28.5~40.2 mN·m) |
| OPERATING TEMPERATURE | -30°C ~+80°C                  |
| WEIGHT                | 215g (7.58oz)                 |

| MODEL NUMBER    | VOLTAGE (V)     |         | NO LOAD      |              | AT MAXIMUM EFFICIENCY |              |                |                |             | STARTING       |                |              |
|-----------------|-----------------|---------|--------------|--------------|-----------------------|--------------|----------------|----------------|-------------|----------------|----------------|--------------|
|                 | OPERATING RANGE | NOMINAL | SPEED<br>RPM | CURRENT<br>A | SPEED<br>RPM          | CURRENT<br>A | TORQUE<br>g·cm | TORQUE<br>mN·m | OUTPUT<br>W | TORQUE<br>g·cm | TORQUE<br>mN·m | CURRENT<br>A |
| PTRS-550SM-7522 | 3.6~9.6         | 7.2     | 15800        | 1.80         | 13500                 | 10.90        | 410            | 40.2           | 66.4        | 2900           | 284            | 66.5         |
| PTRS-550SM-6428 | 3.6~7.2         | 4.8     | 8050         | 1.11         | 6800                  | 6.08         | 291            | 28.5           | 21.2        | 1880           | 184            | 33.2         |



UNIT: mm

