

# JE3-060A/JG3-060A

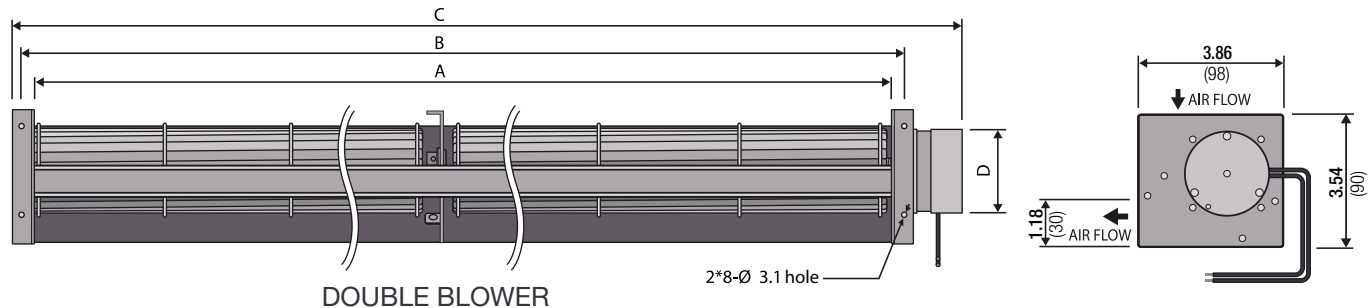
## J SERIES DC CROSSFLOW FAN



SINGLE BLOWER

VOLTAGE	24V
BEARINGS	Ball Bearings
MOTOR	DC Brushless Type 3-phase
IMPELLER	Aluminum Alloy
LENGTH (C)	Min 6.7in (169mm), Max 37.5in (953mm)
AIRFLOW	67~403 CFM (1.9~11.4 m³/min)
OPERATING TEMP	0°C~45°C
OPERATING LIFE	30,000 hours @ 40°C

Model Number		inches (mm)				V	A	RPM	Pressure (P)		Airflow (Q)		dBA	g	Blower
		A	B	C	D				mmAq	inH <sub>2</sub> O	m³/min	CFM			
JE3-06012A24-3B	①	4.9 (124)	5.5 (139)	6.7 (169)	1.5 (38)	24	0.35	2500	4.4	0.17	1.9	67	49	500	Single
JE3-06018A24-3B	②	7.2 (184)	7.8 (199)	9.0 (229)	1.5 (38)	24	0.40	2200	3.2	0.13	2.5	88	45	580	Single
JE3-06024A24-3B	③	9.6 (245)	10.2 (260)	12.0 (305)	2.2 (56)	24	0.42	2100	3.6	0.14	3.3	117	44	850	Single
JE3-06030A24-3B	④	12.0 (306)	12.6 (321)	14.4 (366)	2.2 (56)	24	0.46	2000	3.5	0.14	4.1	145	43	930	Single
JE3-06036A24-3B	⑤	14.5 (368)	15.1 (383)	16.9 (428)	2.2 (56)	24	0.51	1950	3.4	0.13	4.7	166	43	1000	Single
JE3-06042A24-3B	⑥	16.9 (429)	17.5 (444)	19.3 (489)	2.2 (56)	24	0.53	1900	3.3	0.13	5.3	187	43	1080	Single
JG3-06052A24L-3B	⑦	20.1 (530)	21.5 (545)	23.2 (590)	2.2 (56)	24	0.58	1750	2.8	0.11	6.2	219	43	1200	Single
JG3-06060A24L-3B	⑧	24.0 (610)	24.6 (625)	26.4 (670)	2.2 (56)	24	0.64	1650	2.7	0.11	7.0	247	43	1290	Single
JG3-06070A24L-3B	⑨	28.0 (710)	28.5 (725)	30.3 (770)	2.2 (56)	24	0.68	1600	2.3	0.09	7.9	279	42	1400	Single
JG3-06052A24H-3B	⑩	20.9 (530)	21.5 (545)	24.1 (613)	2.2 (56)	24	1.07	2250	4.1	0.16	8.2	290	53	1350	Single
JG3-06060A24H-3B	⑪	24.0 (610)	24.6 (625)	27.3 (693)	2.2 (56)	24	1.13	2200	4.0	0.16	9.2	325	53	1440	Single
JG3-06070A24H-3B	⑫	28.0 (710)	28.5 (725)	31.2 (793)	2.2 (56)	24	1.20	2100	3.7	0.15	10.2	360	52	1550	Single
JG3-6042X2A24-3B	⑬	34.3 (870)	34.8 (885)	37.5 (953)	2.2 (56)	24	1.20	2000	3.5	0.14	11.4	403	50	1740	Double



DOUBLE BLOWER

