

AC Single Inlet

FD150 Series Centrifugal Fan

150mm (5.91in)



GENERAL SPECIFICATIONS

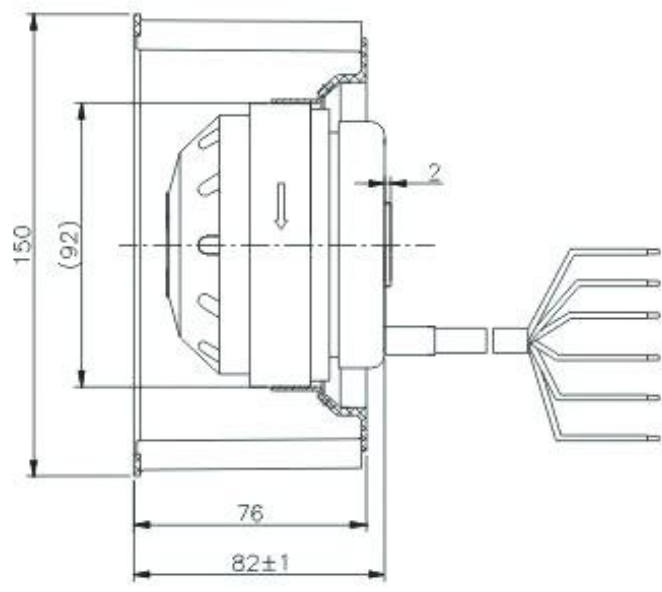
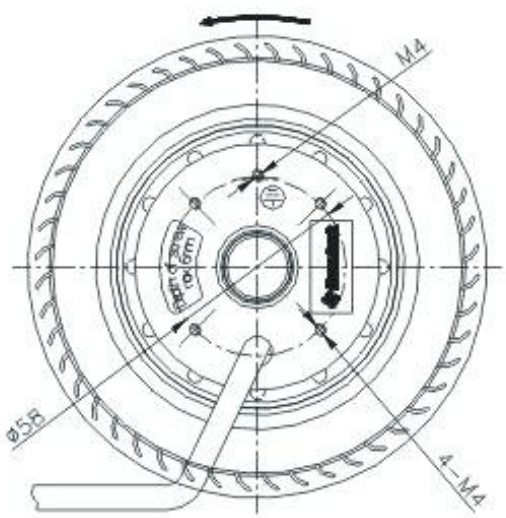
- Impeller:** PA66
- Life:** 40,000 hours
- IP Rating:** IP44
- Operating Temp:** -25°C~+40°C
- Bearings:** Ball

FEATURES

- High efficiency design
- Lubricated maintenance-free ball bearings
- Vibration-free operation
- Precision balanced for superior performance
- Compact and rugged construction

model	voltage (V)	freq (Hz)	current (A)	power (W)	speed (RPM)	airflow (m ³ /h)	airflow (CFM)	pressure (Pa)	capacitor μF	insulation class
FD150B	230	50	0.47	102	2400	/	/	/	3/450	F
FD150C	115	60	1.1	118	2400	/	/	/	12/250	F

Dimensions (mm)



Applications

HVAC, cabinet cooling, medical equipment, military applications, air filtration, semiconductors, commercial and industrial cooling.



T 1.888.546.0524 • F 1.610.647.0319
 email: sales@pelonistech.com • www.pelonistechnologies.com

