

AC Backward Curve

FH175 Series Centrifugal Fan

175mm (6.9in)



GENERAL SPECIFICATIONS

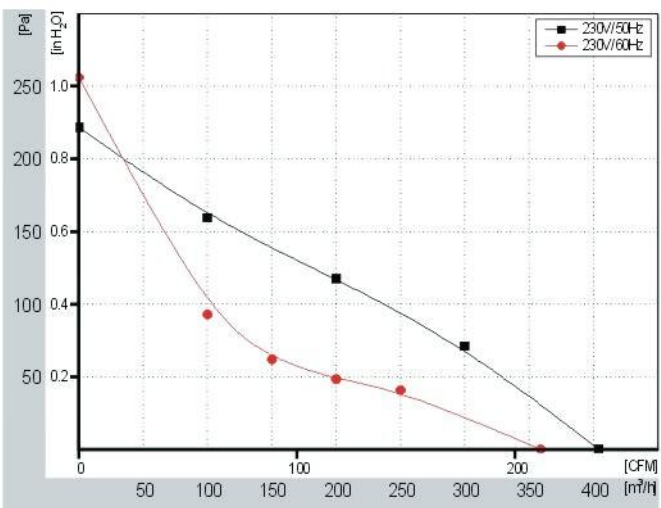
- Impeller:** PA66
- Motor:** Shaded Pole
- Life:** 40,000 hours
- IP Rating:** IP23
- Operating Temp:** -25°C~+40°C
- Bearings:** Ball

FEATURES

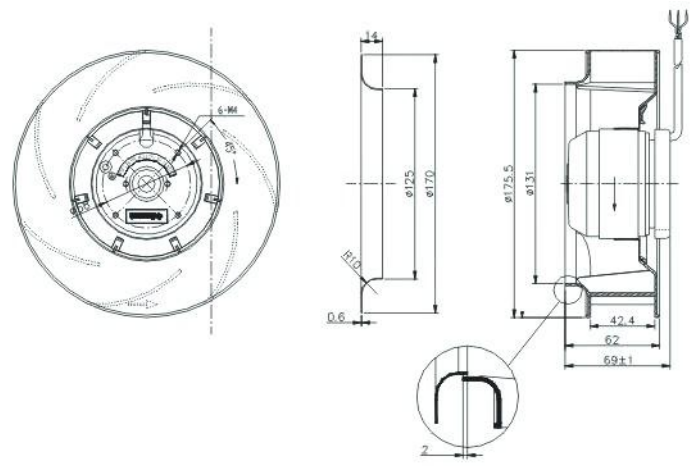
- High efficiency inlet design
- Lubricated maintenance-free ball bearings
- Vibration-free operation
- Precision balanced for superior performance
- Compact and rugged construction

model	voltage (V)	freq (Hz)	current (A)	power (W)	speed (RPM)	airflow (m ³ /h)	airflow (CFM)	pressure (Pa)	capacitor μF	insulation class
FH175H	230	50/60	0.39/0.34	61/62	2350/2200	406/379	239/223	220/252	/	B

Performance Curves



Dimensions (mm)



Applications

HVAC, cabinet cooling, medical equipment, military applications, air filtration, semiconductors, commercial and industrial cooling.



T 1.888.546.0524 • F 1.610.647.0319
 email: sales@pelonistech.com • www.pelonistechnologies.com

