

**AC** Backward Curve

# FJ250 Series Centrifugal Fan

250mm (9.8in)



## GENERAL SPECIFICATIONS

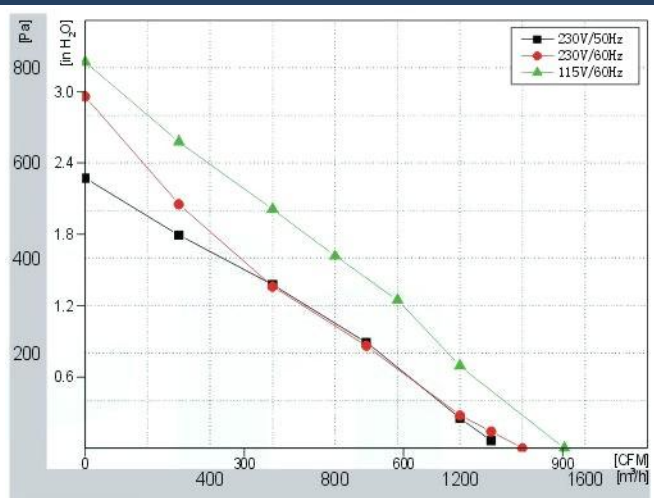
- Impeller:** PA66
- Life:** 40,000 hours
- IP Rating:** IP44
- Operating Temp:** -25°C~+40°C
- Bearings:** Ball

## FEATURES

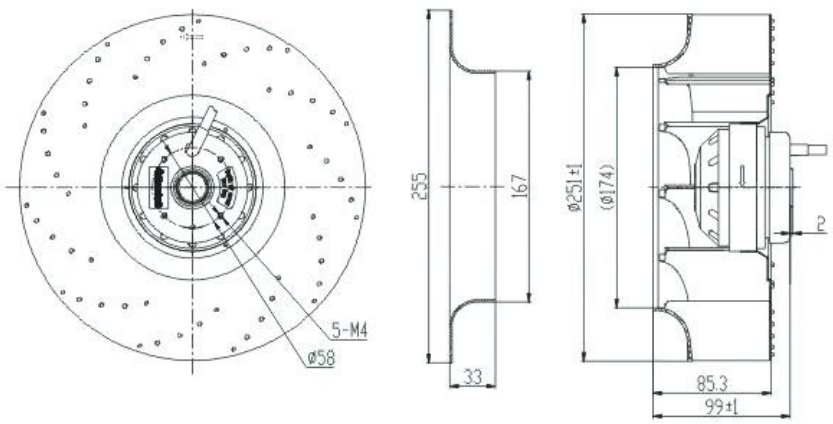
- High efficiency inlet design
- Lubricated maintenance-free ball bearings
- Vibration-free operation
- Precision balanced for superior performance
- Compact and rugged construction

model	voltage (V)	freq (Hz)	current (A)	power (W)	speed (RPM)	airflow (m <sup>3</sup> /h)	airflow (CFM)	pressure (Pa)	capacitor μF	insulation class
FJ250N	230	50/60	0.76/1.08	173/245	2600/2790	1320/1380	777/812	560/745	5/450	F
FJ250L	115	60	2.51	287	2990	1530	901	810	25/250	F

## Performance Curves



## Dimensions (mm)



## Applications

HVAC, cabinet cooling, medical equipment, military applications, air filtration, semiconductors, commercial and industrial cooling.



T 1.888.546.0524 • F 1.610.647.0319  
 email: sales@pelonistech.com • www.pelonistechnologies.com

