

AC Forward Curve Dual Inlet

FS133 Series Centrifugal Fan

133mm (5.2in)



GENERAL SPECIFICATIONS

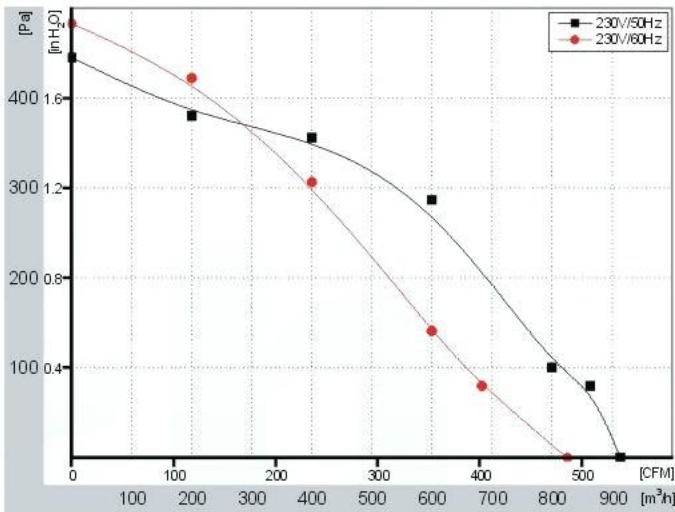
- Impeller:** Galvanized Steel
- Life:** 40,000 hours
- IP Rating:** IP44
- Operating Temp:** -25°C~+40°C
- Bearings:** Ball

FEATURES

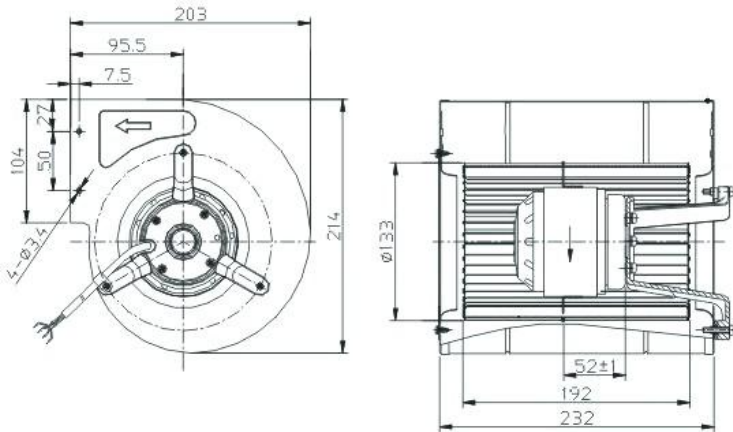
- High efficiency inlet design
- Lubricated maintenance-free ball bearings
- Vibration-free operation
- Precision balanced for superior performance
- Compact and rugged construction

model	voltage (V)	freq (Hz)	current (A)	power (W)	speed (RPM)	airflow (m³/h)	airflow (CFM)	pressure (Pa)	capacitor μF	insulation class
FS133C	230	50/60	1.2/1.25	275/285	1250/1140	910/820	536/483	448/478	5/450	F

Performance Curves



Dimensions (mm)



Applications

HVAC, cabinet cooling, medical equipment, military applications, air filtration, semiconductors, commercial and industrial cooling.



T 1.888.546.0524 • F 1.610.647.0319
 email: sales@pelonistech.com • www.pelonistechnologies.com

