

AC Forward Curve Dual Inlet

# FS160 Series Centrifugal Fan

160mm (6.3in)



## GENERAL SPECIFICATIONS

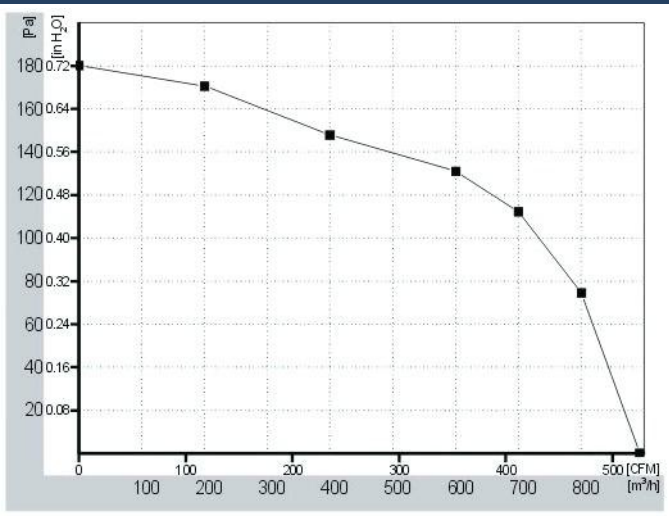
- Impeller:** Galvanized Steel
- Life:** 40,000 hours
- IP Rating:** IP20
- Operating Temp:** -25°C~+40°C
- Bearings:** Sleeve

## FEATURES

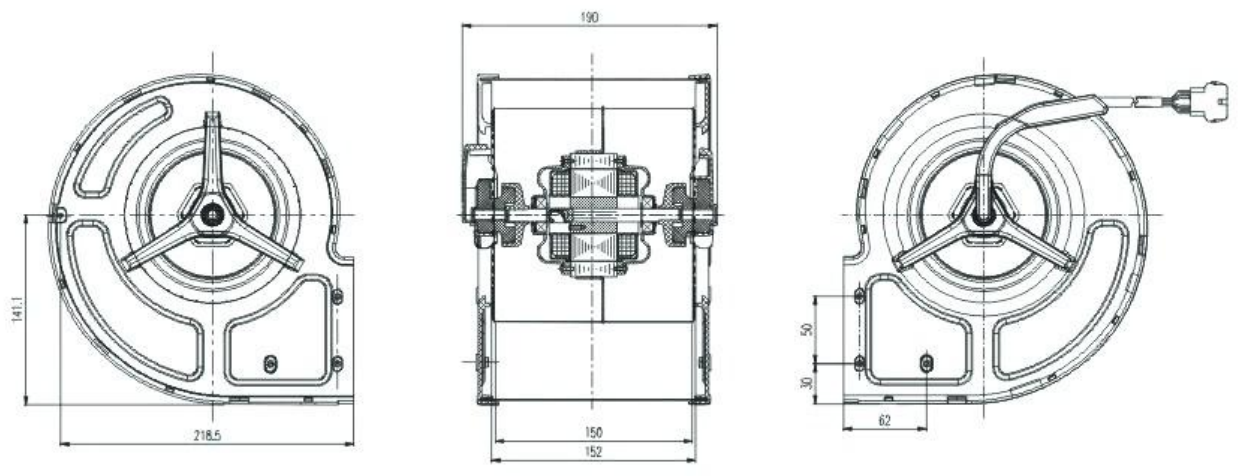
- High efficiency inlet design
- Lubricated maintenance-free sleeve bearings
- Vibration-free operation
- Precision balanced for superior performance
- Compact and rugged construction

model	voltage (V)	freq (Hz)	current (A)	power (W)	speed (RPM)	airflow (m <sup>3</sup> /h)	airflow (CFM)	pressure (Pa)	capacitor μF	insulation class
FS160C	230	50	0.6	130	1250	850	500	180	3.15/450	F

## Performance Curves



## Dimensions (mm)



## Applications

HVAC, cabinet cooling, medical equipment, military applications, air filtration, semiconductors, commercial and industrial cooling.



T 1.888.546.0524 • F 1.610.647.0319  
 email: sales@pelonistech.com • www.pelonistechnologies.com

