

FZ400B Axial Fan

400mm (15.7in)



GENERAL SPECIFICATIONS

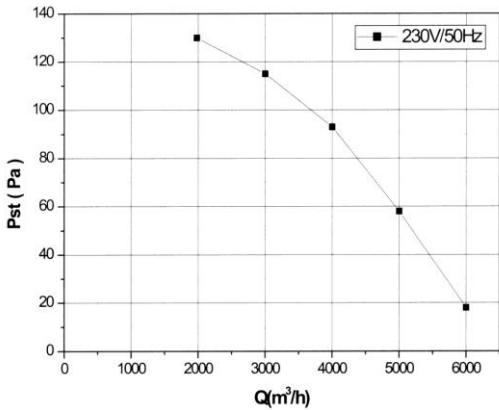
- Impeller:** SPCD
- Life:** 40,000 hours
- IP Rating:** IP54
- Operating Temp:** -30°C~+60°C
- Lead Wires:** 22 AWG
- Insulation Class:** F

FEATURES

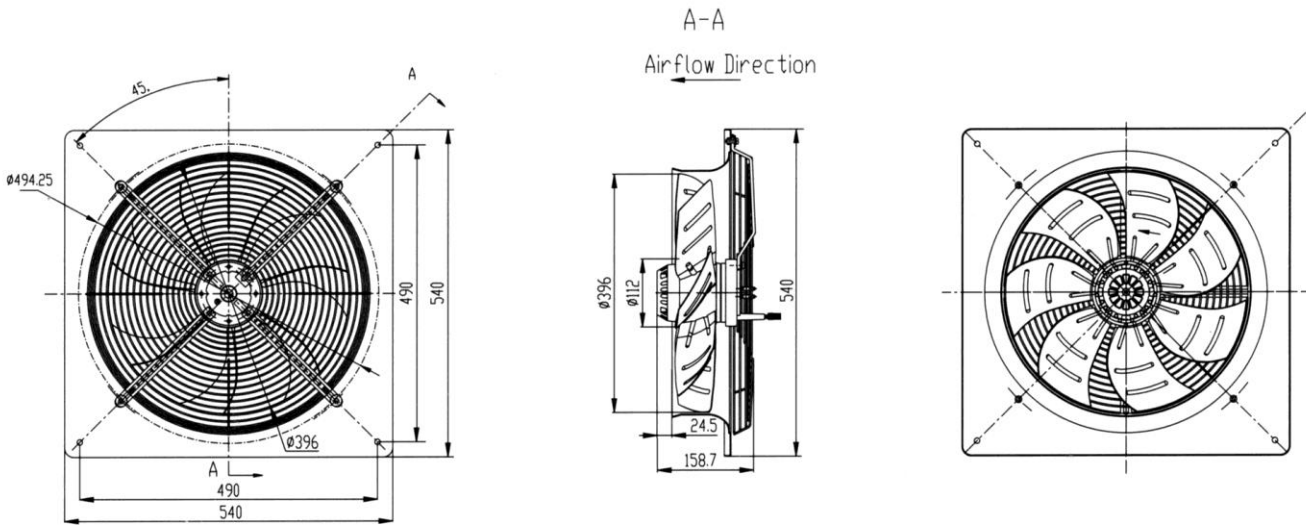
- High efficiency design
- Lubricated maintenance-free ball bearings
- Vibration-free operation
- Precision balanced for superior performance
- Compact and rugged construction

model	bearings (V)	voltage (V)	frequency (Hz)	power (W)	current (A)	speed (RPM)	airflow (m ³ /h)	airflow (CFM)	pressure (Pa)	capacitor (μF/VDB)
FZ400B	Ball	230	50	250	1.1	1400	6000	3531	100	8/450

Performance Curves



Dimensions (mm)



Applications

HVAC, cabinet cooling, medical equipment, military applications, air filtration, semiconductors, commercial and industrial cooling.



T 1.888.546.0524 • F 1.610.647.0319
 email: sales@pelonistech.com • www.pelonistechnologies.com

