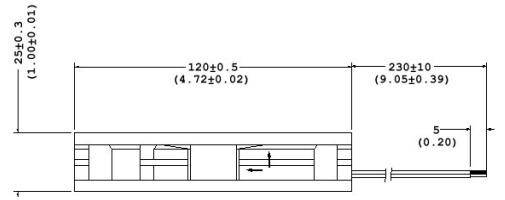
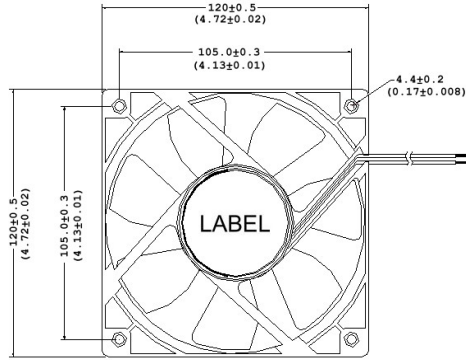


PM1238-7 Series

120 x 120 x 38mm (4.72 x 4.72 x 1.50in)

AC Fan

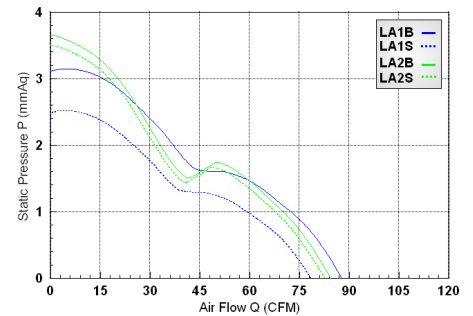
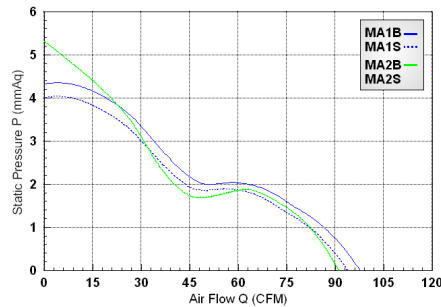
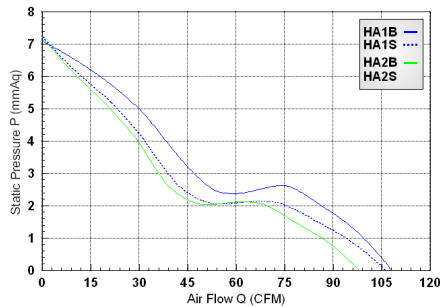


PART NO. *T=Terminal **(L) = Lead Wire	BEARINGS	(VOLTAGE/Hz)	POWER (W)	CURRENT (mA)	SPEED (RPM)	AIR FLOW (Q) (CFM) (m ³ /min)	PRESSURE (P) (mmAq)	PRESSURE (P) (inH ₂ O)	NOISE (dBA)
PM1238HA1BAT(L)-7	Ball	120/60	16.4	208	2900	108.1 3.06	7.09	0.28	43.7
PM1238HA1SAT(L)-7	Sleeve	120/60	16.4	208	2850	106.2 3.01	6.85	0.27	43.5
PM1238MA1BAT(L)-7	Ball	120/60	12.0	150	2600	97.7 2.77	4.32	0.17	41.3
PM1238MA1SAT(L)-7	Sleeve	120/60	12.0	150	2500	93.9 2.66	3.99	0.16	39.3
PM1238LA1BAT(L)-7	Ball	120/60	10.0	125	2350	87.8 2.49	3.11	0.12	37.9
PM1238LA1SAT(L)-7	Sleeve	120/60	10.0	125	2100	78.4 2.22	2.48	0.10	35.5
PM1238HA2BAT(L)-7	Ball	230/50	18.0	120	2600	98.1 2.78	7.22	0.28	42.6
PM1238HA2SAT(L)-7	Sleeve	230/50	18.0	120	2600	98.1 2.78	7.22	0.28	41.6
PM1238MA2BAT(L)-7	Ball	230/50	11.8	72	2450	91.1 2.58	5.31	0.21	38.8
PM1238MA2SAT(L)-7	Sleeve	230/50	11.5	72	2450	91.1 2.58	5.31	0.21	38.3
PM1238LA2BAT(L)-7	Ball	230/50	9.5	56	2250	84.5 2.39	3.66	0.14	36.9
PM1238LA2SAT(L)-7	Sleeve	230/50	9.5	56	2200	82.6 2.34	3.50	0.14	36.8

*Specify T when designating part number with TERMINAL connections (ex: PM1238HA1BAT-7).

** Specify L when designating part number with LEAD WIRES (ex: PM1238HA1BAL-7).

Performance Curves



Electrical Specifications

Dielectric Strength:	1500VAC for 1 second/0.5mA between terminal (wire) and frame.
Insulation Resistance:	≥100MΩ (COLD) between terminal (wire) and frame. ≥20MΩ (HOT) between terminal (wire) and frame.
Motor:	Shaded Pole Induction
Protection:	Impedance Protected

Mechanical Specifications

Airflow Direction:	Air Over Struts
Frame:	Aluminum Alloy
Impeller:	UL94V-0 Reinforced Plastic
Lead Wires (L):	22AWG, Black
Weight:	580g (20.5oz)
Terminals:	3mm (0.12in)
Life Expectancy:	Ball: 50,000 hrs. @20°C; Sleeve: 30,000 hrs. @20°C

Environmental Specifications

Operating Temperature:	-20 to +85°C	Ordinary humidity
Storage Temperature:	-30 to +120°C	Ordinary humidity
Acoustical:	Anechoic chamber at free air.	Measured at 1 meter from the fan and perpendicular to the direction of the airflow.