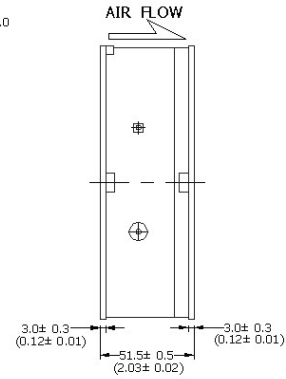
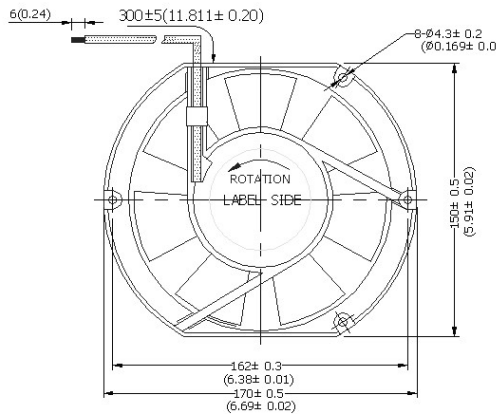


# PM1751-7 Series

172 x 150 x 51mm (6.77 x 5.91 x 2.01in)

## AC Fan



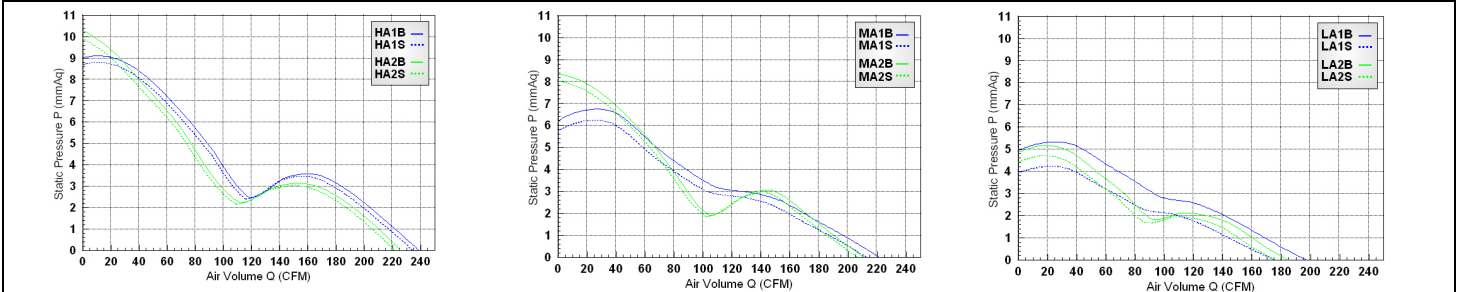
Dimensions are in millimeters. ( ) are in inches.

PART NO. *T=Terminal **(L) = Lead Wire	BEARINGS	(VOLTAGE/Hz)	POWER (W)	CURRENT (mA)	SPEED (RPM)	AIR FLOW (Q) (CFM)	AIR FLOW (Q) (m <sup>3</sup> /min)	PRESSURE (P) (mmAq)	PRESSURE (P) (inH <sub>2</sub> O)	NOISE (dBA)
PM1751HA1BAT(L)-7	Ball	120/60	50.0	640	2700	238.6	6.76	9.00	0.35	51.2
PM1751HA1SAT(L)-7	Sleeve	120/60	50.0	640	2650	234.2	6.63	8.67	0.34	50.7
PM1751MA1BAT(L)-7	Ball	120/60	42.0	535	2500	221.3	6.27	6.21	0.24	49.5
PM1751MA1SAT(L)-7	Sleeve	120/60	42.0	535	2400	212.4	6.01	5.72	0.23	47.9
PM1751LA1BAT(L)-7	Ball	120/60	38.0	500	2250	196.9	5.58	4.91	0.19	46.2
PM1751LA1SAT(L)-7	Sleeve	120/60	38.0	500	2000	175.0	4.96	3.88	0.15	44.5
PM1751HA2BAT(L)-7	Ball	230/50	45.5	300	2550	225.7	6.39	10.28	0.40	50.3
PM1751HA2SAT(L)-7	Sleeve	230/50	45.5	300	2500	221.3	6.27	9.88	0.39	49.6
PM1751MA2BAT(L)-7	Ball	230/50	38.0	240	2400	210.9	5.97	8.34	0.33	49.1
PM1751MA2SAT(L)-7	Sleeve	230/50	38.0	240	2350	206.5	5.85	8.00	0.31	48.5
PM1751LA2BAT(L)-7	Ball	230/50	28.0	185	2100	184.5	5.22	4.82	0.19	45.9
PM1751LA2SAT(L)-7	Sleeve	230/50	28.0	185	2000	175.7	4.98	4.37	0.17	44.1

\*Specify T when designating part number with TERMINAL connections (ex: PM1751HA1BAT-7).

\*\* Specify L when designating part number with LEAD WIRES (ex: PM1751HA1BAL-7).

### Performance Curves



### Electrical Specifications

<b>Dielectric Strength:</b>	1500VAC for 1 second/0.5mA between terminal (wire) and frame.
<b>Insulation Resistance:</b>	≥100MΩ (COLD) between terminal (wire) and frame. ≥20MΩ (HOT) between terminal (wire) and frame.
<b>Motor:</b>	Shaded Pole Induction
<b>Protection:</b>	Impedance Protected

### Mechanical Specifications

<b>Airflow Direction:</b>	Air Over Struts
<b>Frame:</b>	Aluminum Alloy
<b>Impeller:</b>	UL94V-0 Reinforced Plastic
<b>Lead Wires (L):</b>	22AWG, Black
<b>Weight:</b>	950g (33.5oz)
<b>Terminals:</b>	3mm (0.12in)
<b>Life Expectancy:</b>	Ball: 50,000 hrs. @20°C; Sleeve: 30,000 hrs. @20°C

### Environmental Specifications

<b>Operating Temperature:</b>	-20 to +85°C	Ordinary humidity
<b>Storage Temperature:</b>	-30 to +120°C	Ordinary humidity
<b>Acoustical:</b>	Anechoic chamber at free air.	Measured at 1 meter from the fan and perpendicular to the direction of the airflow.