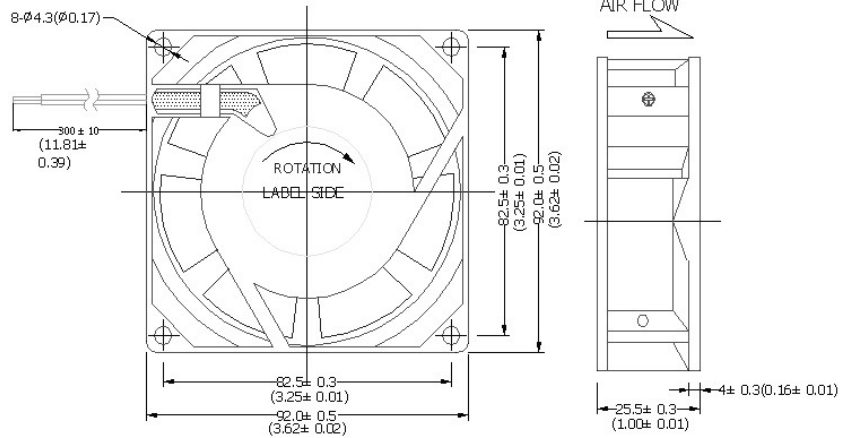


# PM9225-7 Series

92 x 92 x 25mm (3.62 x 3.62 x 0.98in)

AC Fan



Dimensions are in millimeters. ( ) are in inches.

PART NO. *T=Terminal **(L) = Lead Wire	BEARINGS	(VOLTAGE/Hz)	POWER (W)	CURRENT (mA)	SPEED (RPM)	AIR FLOW (Q) (CFM) (m <sup>3</sup> /min)	PRESSURE (P) (mmAq)	PRESSURE (P) (inH <sub>2</sub> O)	NOISE (dBA)
PM9225HA1BAT(L)-7	Ball	120/60	6.8	75	2050	29.6 0.84	2.28	0.09	21.6
PM9225HA1SAT(L)-7	Sleeve	120/60	6.8	75	1950	28.2 0.80	2.06	0.08	20.2
PM9225HA2BAT(L)-7	Ball	230/50	9.0	47	1700	24.3 0.69	1.54	0.06	18.3
PM9225HA2SAT(L)-7	Sleeve	230/50	9.3	47	1450	20.8 0.59	1.12	0.04	17.1

\*Specify T when designating part number with TERMINAL connections (ex: PM9225HA1BAT-7).  
\*\* Specify L when designating part number with LEAD WIRES (ex: PM9225HA1BAL-7).

Performance Curves	Electrical Specifications
	<b>Dielectric Strength:</b> 1500VAC for 1 second/0.5mA between terminal (wire) and frame. <b>Insulation Resistance:</b> ≥100MΩ (COLD) between terminal (wire) and frame. ≥20MΩ (HOT) between terminal (wire) and frame. <b>Motor:</b> Shaded Pole Induction <b>Protection:</b> Impedance Protected
	Mechanical Specifications
	<b>Airflow Direction:</b> Air Over Struts <b>Frame:</b> Aluminum Alloy <b>Impeller:</b> UL94V-0 Reinforced Plastic <b>Lead Wires (L):</b> 22AWG, Black <b>Weight:</b> 230g (8.1oz) <b>Terminals:</b> 3mm (0.12in) <b>Life Expectancy:</b> Ball: 50,000 hrs. @20°C; Sleeve: 30,000 hrs. @20°C
	Environmental Specifications
	<b>Operating Temperature:</b> -20 to +85°C <b>Storage Temperature:</b> -30 to +120°C <b>Acoustical:</b> Anechoic chamber at free air.
	Ordinary humidity Ordinary humidity Measured at 1 meter from the fan and perpendicular to the direction of the airflow.

Specifications subject to change without notice.