

DC Backward Curve Motorized Impeller

# R1D190 Centrifugal Fan

190mm (7.5in)



## GENERAL SPECIFICATIONS

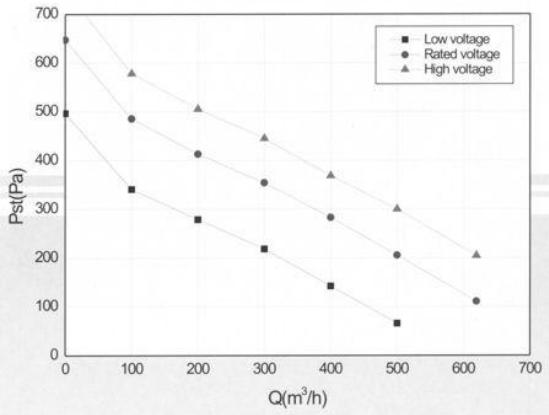
- Impeller:** PA66+20%GF
- Life:** 40,000 hours
- IP Rating:** IP42
- Operating Temp:** -20°C~+60°C
- Lead Wires:** 20 AWG

## FEATURES

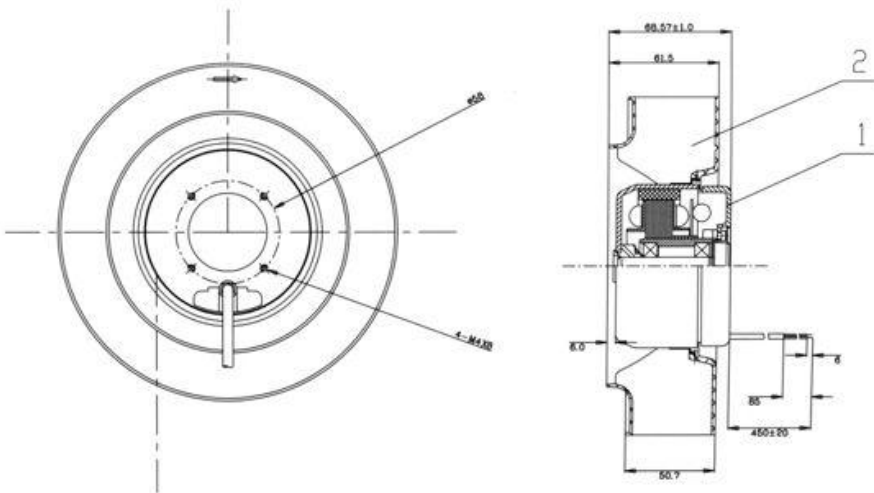
- High efficiency inlet design
- Lubricated maintenance-free ball bearings
- Vibration-free operation
- Precision balanced for superior performance
- Compact and rugged construction

model	bearings (V)	voltage (V)	range (VDC)	power (W)	speed (RPM)	airflow (m <sup>3</sup> /h)	airflow (CFM)	pressure (Pa)	max ambient temp (°C)	noise (dBA)
R1D190-AB	Ball	24	16 to 28	80	3250	560	330	580	60	68
R1D190-AA	Ball	48	36 to 57	71	3200	545	321	600	60	68

## Performance Curves



## Dimensions (mm)



## Applications

HVAC, cabinet cooling, medical equipment, military applications, air filtration, semiconductors, commercial and industrial cooling.



T 1.888.546.0524 • F 1.610.647.0319  
 email: sales@pelonistech.com • www.pelonistechnologies.com

