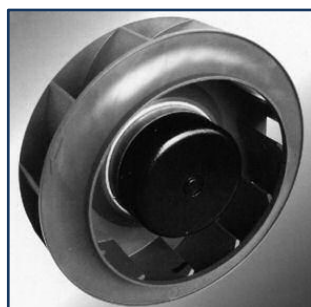


DC Backward Curve Motorized Impeller

R1D220 Centrifugal Fan

220mm (8.6in)



GENERAL SPECIFICATIONS

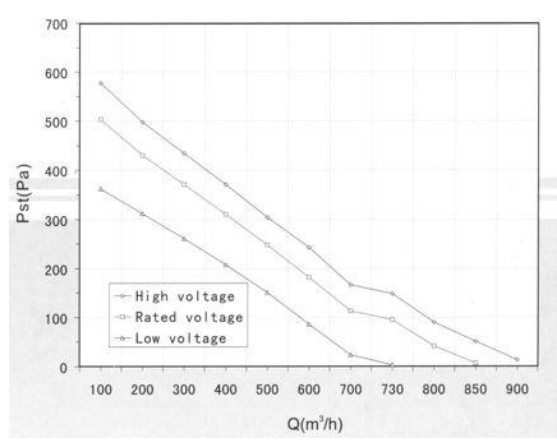
- Impeller:** PA66+20%GF
- Life:** 40,000 hours
- IP Rating:** IP42
- Operating Temp:** -20°C~+60°C
- Lead Wires:** 20 AWG

FEATURES

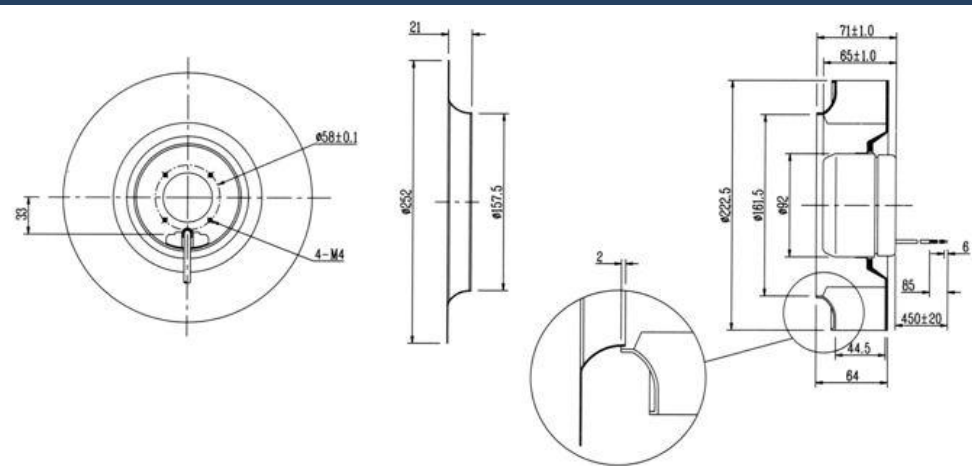
- High efficiency inlet design
- Lubricated maintenance-free ball bearings
- Vibration-free operation
- Precision balanced for superior performance
- Compact and rugged construction

model	bearings (V)	voltage (V)	range (VDC)	power (W)	speed (RPM)	airflow (m ³ /h)	airflow (CFM)	pressure (Pa)	max ambient temp (°C)	noise (dBA)
R1D220-AB	Ball	24	16 to 28	106	3150	1000	589	630	60	76
R1D220-AA	Ball	48	36 to 57	100	3150	1000	589	630	60	73

Performance Curves



Dimensions (mm)



Applications

HVAC, cabinet cooling, medical equipment, military applications, air filtration, semiconductors, commercial and industrial cooling.



T 1.888.546.0524 • F 1.610.647.0319
 email: sales@pelonistech.com • www.pelonistechnologies.com

