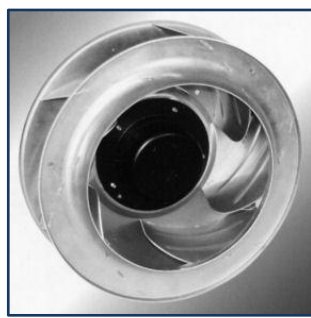


**DC** Backward Curve Motorized Impeller

# R1D310 Centrifugal Fan

310mm (12.2in)



## GENERAL SPECIFICATIONS

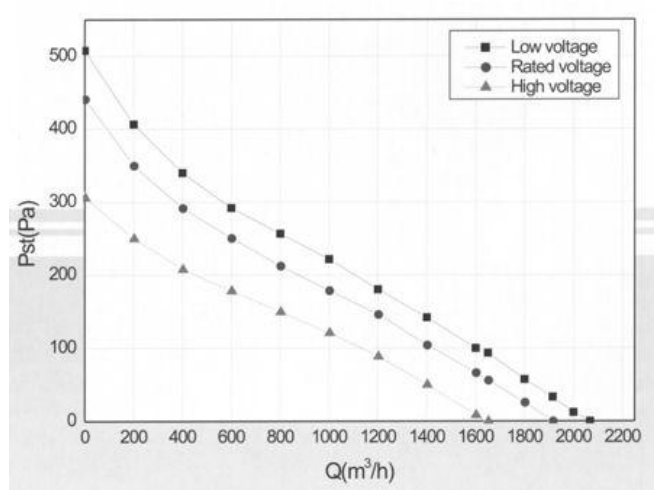
**Life:** 40,000 hours  
**IP Rating:** IP42  
**Operating Temp:** -20°C~+60°C  
**Lead Wires:** 20 AWG

## FEATURES

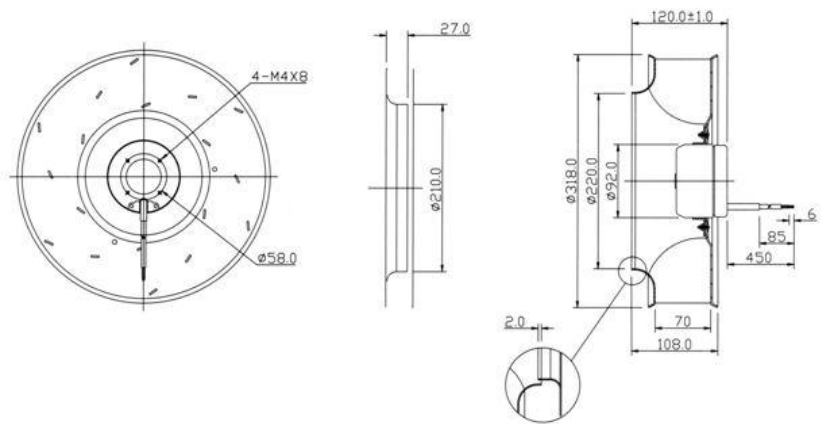
High efficiency inlet design  
 Lubricated maintenance-free ball bearings  
 Vibration-free operation  
 Precision balanced for superior performance  
 Compact and rugged construction

model	bearings (V)	voltage (V)	range (VDC)	power (W)	speed (RPM)	airflow (m <sup>3</sup> /h)	airflow (CFM)	pressure (Pa)	max ambient temp (°C)	noise (dBA)
R1D310-AB	Ball	24	16 to 28	90	1600	1910	1124	480	60	64
R1D310-AA	Ball	48	36 to 57	90	1600	1910	1124	480	60	64

## Performance Curves



## Dimensions (mm)



## Applications

HVAC, cabinet cooling, medical equipment, military applications, air filtration, semiconductors, commercial and industrial cooling.



T 1.888.546.0524 • F 1.610.647.0319  
 email: sales@pelonistech.com • www.pelonistechnologies.com

