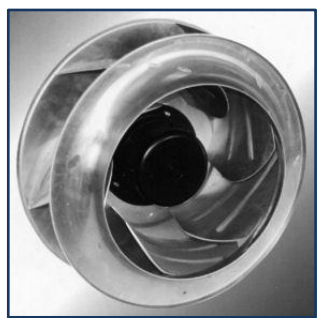


DC Backward Curve Motorized Impeller

R3D355 Centrifugal Fan

355mm (13.9in)



GENERAL SPECIFICATIONS

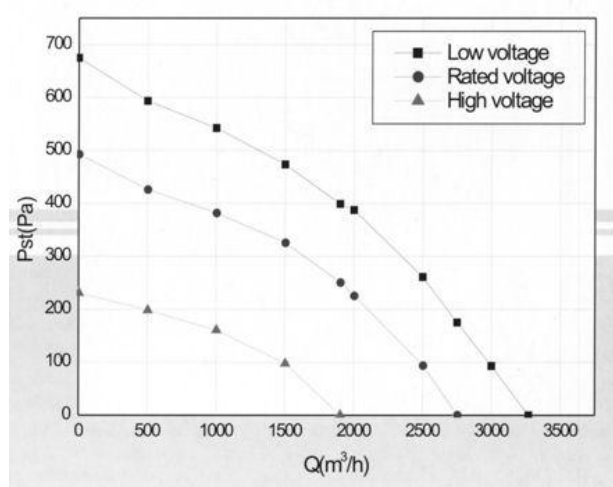
Life: 40,000 hours
IP Rating: IP42
Operating Temp: -20°C~+60°C
Lead Wires: 20 AWG

FEATURES

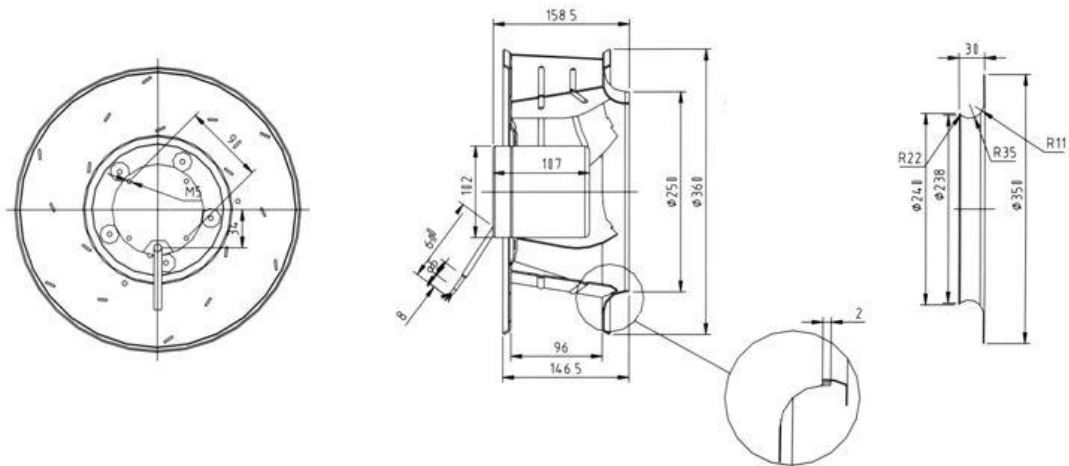
High efficiency inlet design
 Lubricated maintenance-free ball bearings
 Vibration-free operation
 Precision balanced for superior performance
 Compact and rugged construction

model	bearings (V)	voltage (V)	range (VDC)	power (W)	speed (RPM)	airflow (m ³ /h)	airflow (CFM)	pressure (Pa)	max ambient temp (°C)	noise (dBA)
R3D355-AB	Ball	48	36 to 57	178	1560	2790	1642	500	60	69

Performance Curves



Dimensions (mm)



Applications

HVAC, cabinet cooling, medical equipment, military applications, air filtration, semiconductors, commercial and industrial cooling.



T 1.888.546.0524 • F 1.610.647.0319
 email: sales@pelonistech.com • www.pelonistechnologies.com

