

DC Backward Curve Motorized Impeller

R3D400 Centrifugal Fan

400mm (15.7in)



GENERAL SPECIFICATIONS

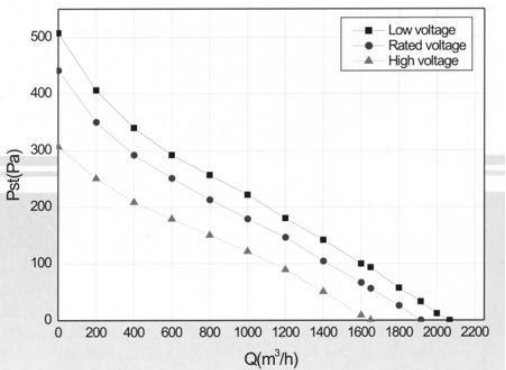
- Life:** 40,000 hours
- IP Rating:** IP42
- Operating Temp:** -20°C~+60°C
- Lead Wires:** 20 AWG

FEATURES

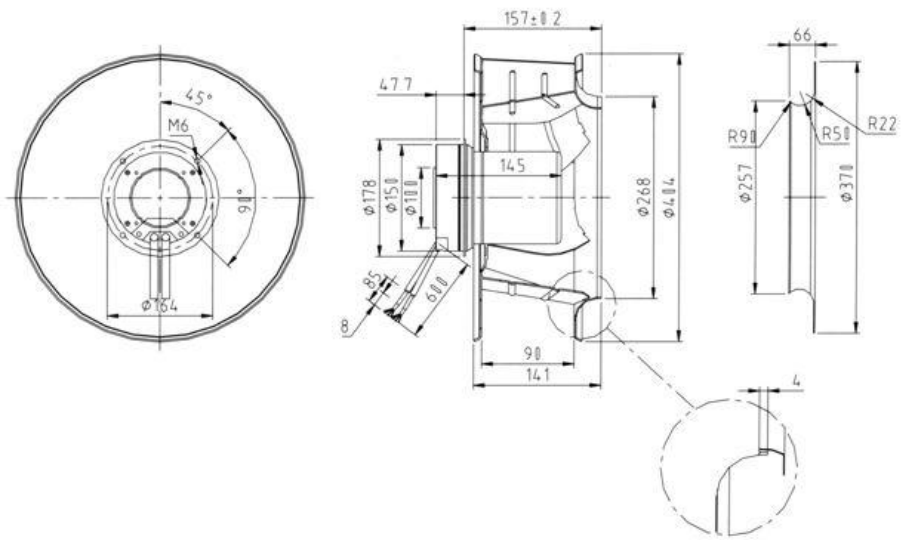
- High efficiency inlet design
- Lubricated maintenance-free ball bearings
- Vibration-free operation
- Precision balanced for superior performance
- Compact and rugged construction

model	bearings (V)	voltage (V)	power (W)	speed (RPM)	airflow (m³/h)	airflow (CFM)	pressure (Pa)	max ambient temp (°C)	noise (dBA)
R3D400-AB	Ball	200 to 277 VAC	390	1520	2800	1648	520	60	73
R3D400-AA	Ball	36 to 57 VDC	200	1290	3000	1766	480	60	65

Performance Curves



Dimensions (mm)



Applications

HVAC, cabinet cooling, medical equipment, military applications, air filtration, semiconductors, commercial and industrial cooling.



T 1.888.546.0524 • F 1.610.647.0319
 email: sales@pelonistech.com • www.pelonistechnologies.com

